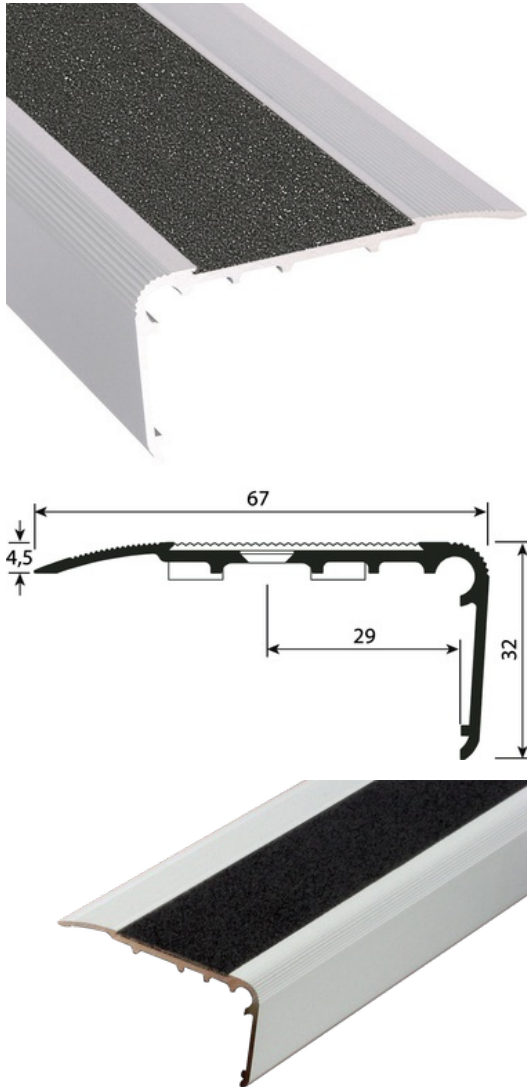


DATA SHEET



DESCRIPTION

Aluminium stair-nosing with anti-slip carborundum insert
To secure stairs and reduce slip risk
Self-adhesive aluminium stair-nosing
For available inserts, see ROMUS catalogue

USE

For overlapping a floor covering or a parquet or concrete floor.
Indoor use

REFERENCE

Ref : 2391

MATERIAL

REACH compliant

FITTING MODE

Quick to install. Cut the profile to the desired length. Make sure that the support is clear and clean from any grease and dust. Remove the silicone-coated paper. Position the profile and press down to secure.

> MAINTENANCE

For daily cleaning, use standard detergents. In case you want to use a sodium, ammoniac or acid based cleaner, carry first out a preliminary test on the profile, avoiding the insert.

The information contained in this document is provided for information purposes. Romus cannot be held liable for this information. The user or specifier will check the compatibility of the product technical data with the actual situation. Romus reserves the right to modify all or part of this document without prior notice.

Architect :

Project :

Email :

Tel :

Distributor :

Tel :

Email :