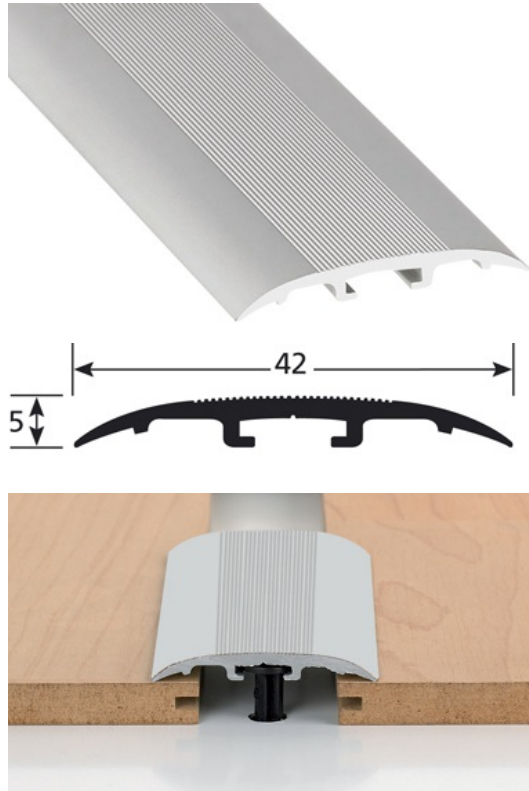


DATA SHEET



DESCRIPTION

Aluminium profile with invisible fixing to make a transition between 2 floor coverings of different levels. Profile with invisible fixing by winged plugs. plan 5 plugs 94156 per meter

USE

For overlapping a floor covering or a parquet or concrete floor. Indoor use

REFERENCE

Ref : 301077

MATERIAL

REACH compliant

FITTING MODE

Profile with invisible fixing by winged plugs.

> MAINTENANCE

For daily cleaning, use standard detergents. In case you want to use a sodium, ammoniac or acid based cleaner, carry first out a preliminary test.

The information contained in this document is provided for information purposes. Romus cannot be held liable for this information. The user or specifier will check the compatibility of the product technical data with the actual situation. Romus reserves the right to modify all or part of this document without prior notice.

Architect :

Project :

Email :

Tel :

Distributor :

Tel :

Email :