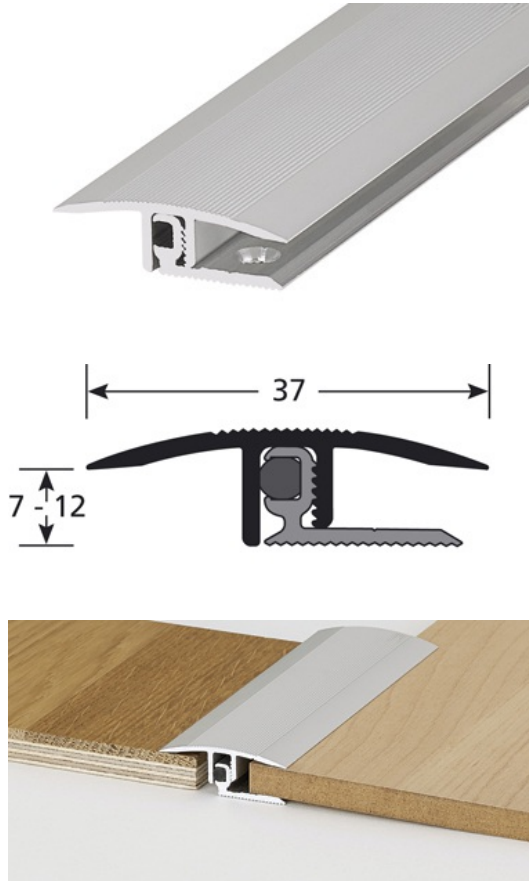


## DATA SHEET



### DESCRIPTION

Aluminium profile with invisible fixing to make a transition between 2 floor coverings of different levels  
Invisible fixing: fix the base and clip the top on the base  
5 holes, first one at 65 mm.  
Holes are drilled, countersunk and deburred

### USE

For overlapping a floor covering or a parquet or concrete floor.  
Indoor use

### REFERENCE

Ref : 3100

### MATERIAL

REACH compliant

### FITTING MODE

Position the profile base, leaving an expansion gap. Locate the holes and drill into the concrete. Place the ROMUS plugs 94154, screw the base with ROMUS screws 94137. Clip the cover on the base to ensure a good connection.

### > MAINTENANCE

For daily cleaning, use standard detergents. In case you want to use a sodium, ammoniac or acid based cleaner, carry first out a preliminary test.

The information contained in this document is provided for information purposes. Romus cannot be held liable for this information. The user or specifier will check the compatibility of the product technical data with the actual situation. Romus reserves the right to modify all or part of this document without prior notice.

Architect :

Project :

Email :

Tel :

Distributor :

Tel :

Email :