

1 Introduction

This classification report defines the classification assigned to « **ROMAT + polypropylene inserts** » (as described by the sponsor) in accordance with the procedure given in EN 13501-1 : 2007 + A1 : 2009

CLASSIFICATION REPORT OF REACTION TO FIRE PERFORMANCE IN ACCORDANCE WITH EN 13501-1 : 2007 + A1: 2009

Sponsor: ROMUS
ZA Les Pouards
13,15 Rue du Taillefer
91160 CHAMPLAN
FRANCE

Prepared by : IFTH
Avenue Guy de Collongue
69134 ECULLY CEDEX – FRANCE

Notified body N° : 0072

Name of product : ROMAT + polypropylene inserts

Classification report N° : N° 17-03000-2 L

Issue number : 1

Date of issue : August 21st, 2017

This classification report consists of three pages and may only be used or reproduced in its entirety.

For all using of this classification report out of the scope of the CE marking for construction products according to the European regulation 305/2011/CEE, the validation of this report is 5 years from the date of its first issue on the 21st November 2017

2 Details of classified product :


2.1 General :

The product « **ROMAT + polypropylene inserts** » (as described by the sponsor) is defined as textile floor covering in accordance with EN 14041 : 2005.

2.2 Description of the product :

The product « **ROMAT + polypropylene inserts** » (as described by the sponsor), is described below or in the test report provided in support of classification listed in 3.1 under original reference « **ROMAT** » :

Carpet made from 100%polypropylene piles on latex FR backing Flatschen, glues on aluminium profile. Profiles are linked together with PVC junction (LACOVIL PPTR004/95A).

- Pile height : 4mm – Surface density of piles : 708 g/m²
- Backing thickness : 6.2 mm – Surface weight : 324 g/m²
- Dimensions of the profile :  height 7.16 mm – width 34 mm
- PVC surface weight : 1450 g/m²
- Total surface weight : 10 kg/m²
- Total thickness : 12 mm
- Colours : black

3 This reports and test results in support of classification:

3.1 Test reports :

Name of laboratory	Name of sponsor	Test reports N°	Test method
IFTH Avenue Guy de Collongue 69134 ECULLY Cedex FRANCE	ROMUS ZA Les Pouards 13,15 Rue du Taillefer 91160 CHAMPLAN - FRANCE	17-03000 _{E1-V1} on the 21 st November 2017	NF EN ISO 11925-2 : 2013 NF EN ISO 9239-1 : 2013

3.2 Test results :

Product tested : ROMAT + polypropylene inserts

Test method	Parameter	Nb. Test	Results	
			Continuous parameter mean	accordance parameter
EN ISO 11925-2* 15s flame exposure on the face	$F_s \leq 150\text{mm}$ untill 20s	6	/	COMPLIANT
EN ISO 9239-1*	Critical Heat Flow (kW/m ²)	4	7.4	/
	Smoke (%/min)		21	/

*assembly :

Put free on fibre-cement substrate (ISO390) of (8±2) mm thickness and (1800±200) kg/m³, in accordance with NF EN 13238:2012, classified A2fl-s1.

4 Classification and field of application :

4.1 Reference of classification :

This classification has been carried out in accordance with EN 13501-1 :2007 + A1 : 2009

4.2 Classification :

The product « **ROMAT + polypropylene inserts** » (as described by the sponsor) in relation to its reaction to fire behaviour is classified : **C_{fl}**

The additional classification in relation to smoke production is: **s 1**

The format of the reaction, to fire classification for construction products excluding floorings and linear pipe thermal insulation products is:

Fire Behaviour		Smoke Production	
C_{fl}	-	s	1

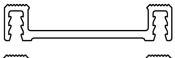


REACTION TO FIRE CLASSIFICATION : C_{fl} – s 1

4-3 Field of application :

This classification is valid for the following product parameters :

Composition : Carpet made from 100%polypropylene piles on latex FR backing Flatschen, glues on aluminium profile. Profiles are linked together with PVC junction (LACOVIL PPTR004/95A).

- Pile height : 4mm – Surface density of piles : 708 g/m²
- Backing thickness : 6.2 mm – Surface weight : 324 g/m²
- Dimensions of the profile :

	height 7.16 mm – width 34 mm
	height 12.16 mm – width 34 mm
	height 17.16 mm – width 34 mm
- PVC surface weight: 1450 g/m²
- Total surface weight : 10 kg/m²
- Total thickness : 12, 17 et 22 mm
- Colours : black

This classification is valid for the following end used application:



Put free or glued on floor or substrate classified A1_{fl} or A2_{fl} with a density more or equal to 1350 kg/m³

5 Limitation :

This classification document does not represent type approval or certification of the product.

The classification assigned to the product in this report is appropriate to a declaration of conformity by the manufacturer within the context of system 3 attestation of conformity and CE marking under the Construction Products Regulation.

The test laboratory has, therefore, played no part in sampling the product for the test, although it holds appropriate references, supplied by the manufacturer, to provide for traceability of the samples tested.

Report	Signatory	Signature*	Date
Edited by:	Sophie GUINAMAND Engineer tests and trials		21 st August 2018
Approved by:	Jean-Marc ORAISON In charge of Fire Regulation for Construction Products		21 st August 2018
* For and in the name of I.F.T.H.			